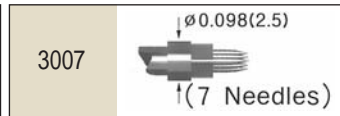
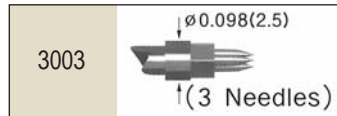
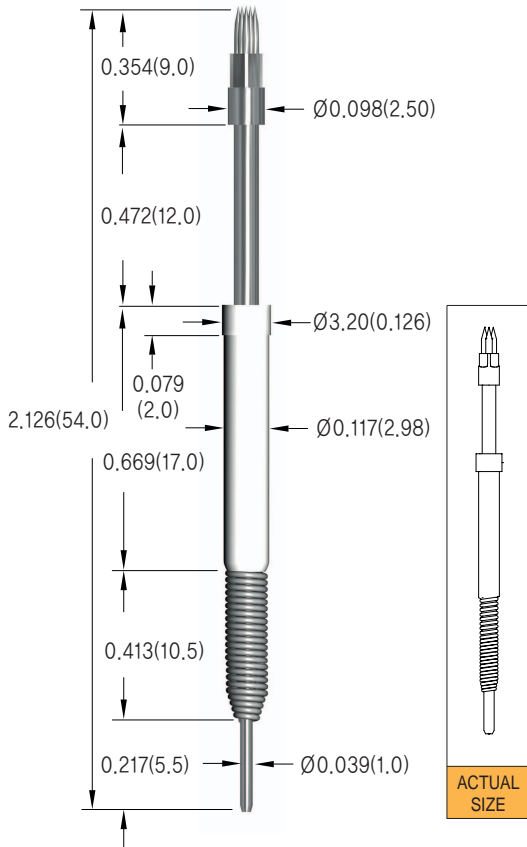


0.187(4.75) Test Centers 3003, 300 Series



Probe Specifications

Electrical(Static Conditions)

Current Rating : 15 amps continuous / Probe Resistance : Less than 20 mΩ

Materials and Finishes

Plunger - High carbon steel, Nickel plated

Sleeve - Resin or Brass, nickel plated

Spring - Music wire

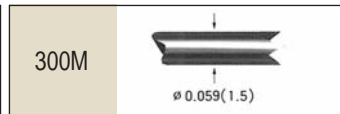
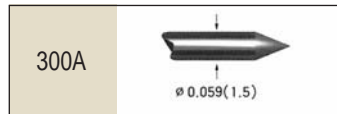
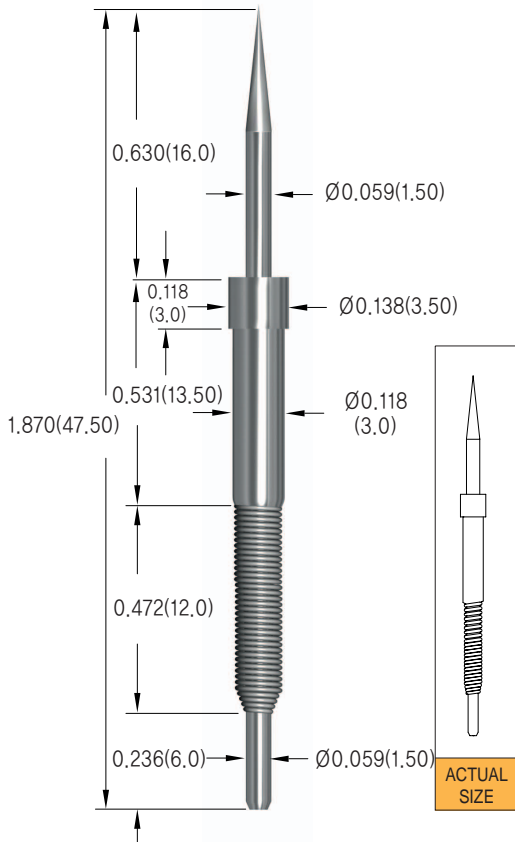
Mounting Hole Size : 0.118(3.0mm) drill is most commonly used

Spring Force	± 20%	oz(grams)
Preload	Recommended Travel 0.315(8.0mm)	Full Travel 0.472(12mm)
0.353(10mm)	12.355(350)	19.309(547)

Receptacle Specifications

Housing : Brass, nickel plated

Mounting Hole Size : 0.161(4.10mm) drill is most commonly used



Probe Specifications

Electrical(Static Conditions)

Current Rating : 15 amps continuous / Probe Resistance : Less than 20 mΩ

Materials and Finishes

Materials and Finishes

Plunger - High carbon steel, nickel plated

Sleeve - Brass, nickel plated

Spring - Music wire

Mounting Hole Size : 0.118(3.0mm) drill is most commonly used

Spring Force	± 20%	oz(grams)
Preload	Recommended Travel 0.346(8.8mm)	Full Travel 0.520(13.2mm)
0.177(5mm)	9.355(265)	13.944(395)