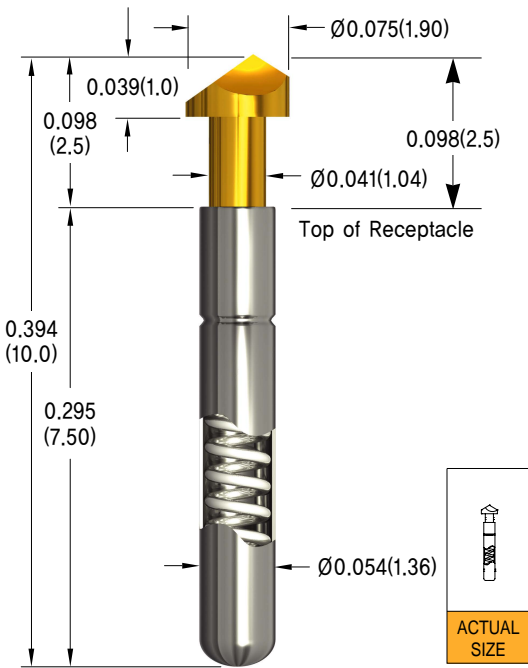
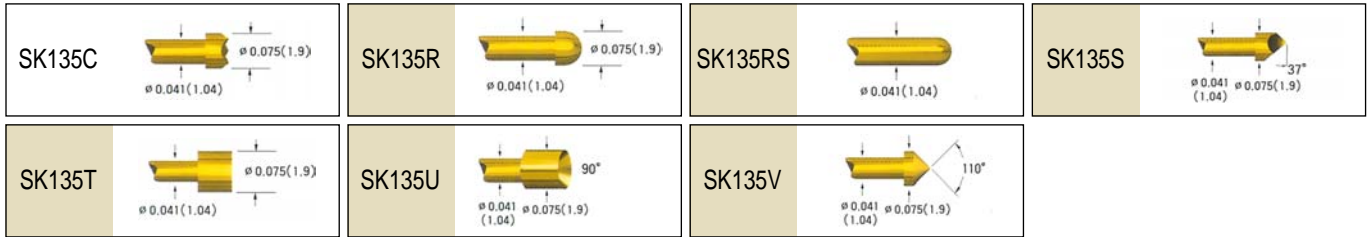


0.100(2.54) Test Centers SK135 Series



Probe Specifications

Electrical(Static Conditions)

Current Rating : 6 amps continuous
 Probe Resistance : Less than 50 mΩ

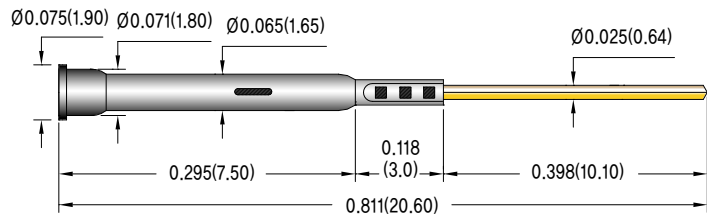
Materials and Finishes

Plunger - Full-hard beryllium copper, gold plated over nickel
 (optional rhodium plated over nickel)
 Barrel - Brass, Nickel plated
 Spring - Music wire

Spring Force	± 20%	oz(grams)
Preload	Recommended Travel 0.039(1.0mm)	Full Travel 0.059(1.5mm)
1.059(30)	3.177(90)	4.236(120)

Receptacle Specifications

Housing : Work hardened nickel silver or phosphor bronze or Brass, nickel plated
 Square Post : Brass, gold plated
 Mounting Hole Size : 0.069(1.7mm) drill is most commonly used



SK135W Wire-Wrap Receptacle



SK135SW

Solder Cup Receptacle

