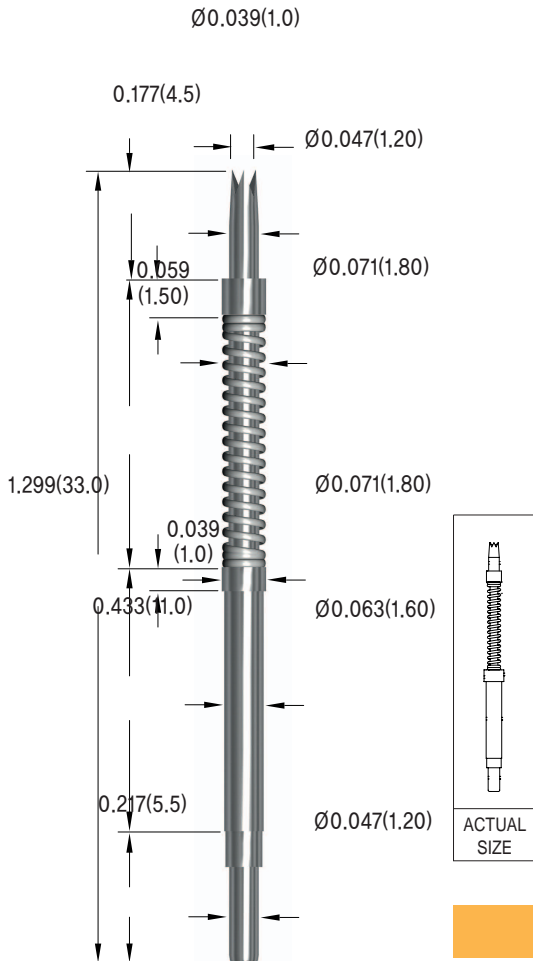
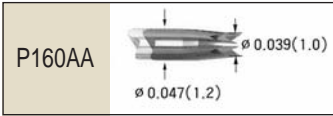


0.100(2.54) Test Centers P160 Series



Probe Specifications

Electrical(Static Conditions)

Current Rating : 10 amps continuous
 Probe Resistance : Less than 20 mΩ

Materials and Finishes

Plunger - High carbon steel, nickel plated
 Sleeve - Resin or Brass, nickel plated
 Spring - Music wire
 Mounting Hole Size : 0.063(1.60mm) drill is most commonly used

Spring Force	± 20%	oz(grams)
Preload	Recommended Travel 0.185(4.7mm)	Full Travel 0.276(7.0mm)
0.847(24)	6.178(175)	12.885(365)