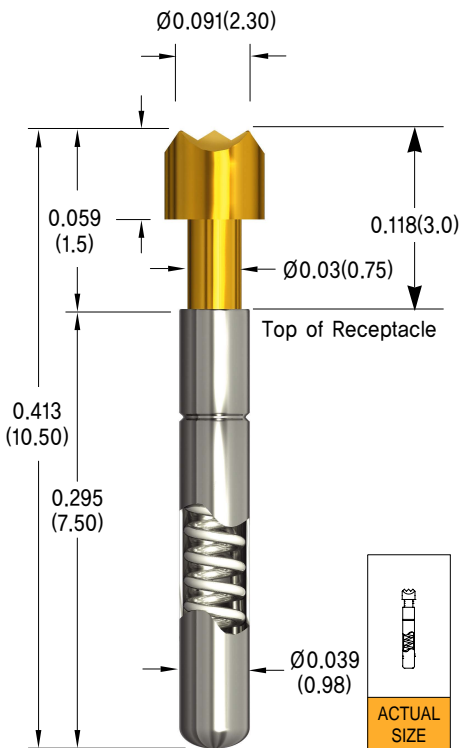
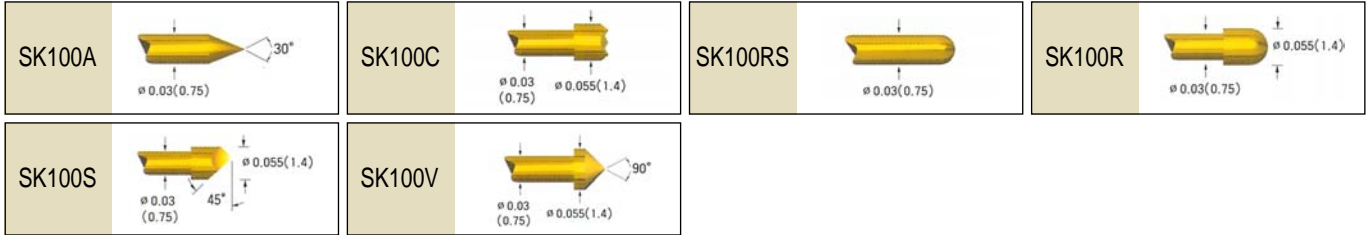


0.100(2.54) Test Centers SK100 Series



Probe Specifications

Electrical(Static Conditions)

Current Rating : 6 amps continuous
 Probe Resistance : Less than 50 mΩ

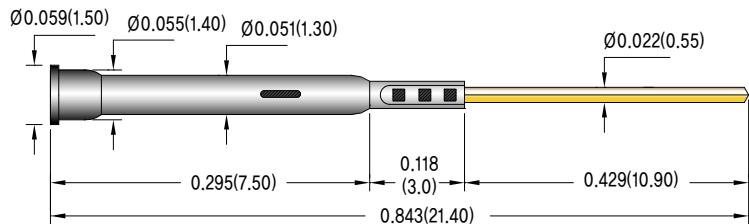
Materials and Finishes

Plunger - Full-hard beryllium copper, gold plated over nickel
 (optional rhodium plated over nickel)
 Barrel - Brass, Nickel plated
 Spring - Music wire

| | | |
|--------------|------------------------------------|-----------------------------|
| Spring Force | ± 20% | oz(grams) |
| Preload | Recommended Travel 0.039(1.0mm) | Full Travel 0.059(1.5mm) |
| 0.353(10) | 1.271(36) | 1.906(54) |

Receptacle Specifications

Housing : Work hardened nickel silver or phosphor bronze or Brass, nickel plated
 Square Post : Brass, gold plated
 Mounting Hole Size : 0.053(1.35mm) drill is most commonly used



SK100W Wire-Wrap Receptacle



SK100SW

Solder Cup Receptacle

