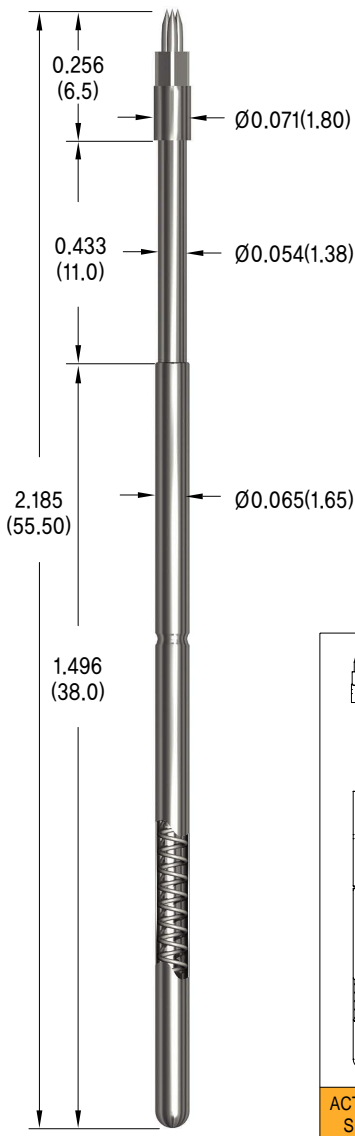
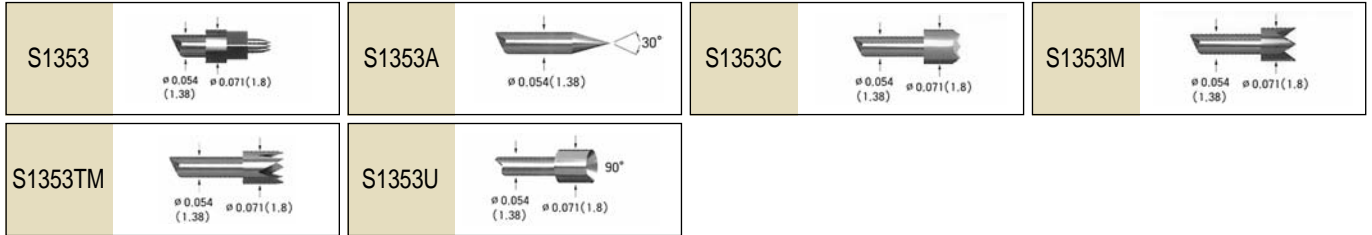


**0.018(3.18) Test Centers S1353 Series**



**Probe Specifications**

**Electrical(Static Conditions)**

Current Rating : 8 amps continuous  
 Probe Resistance : Less than 30 mΩ

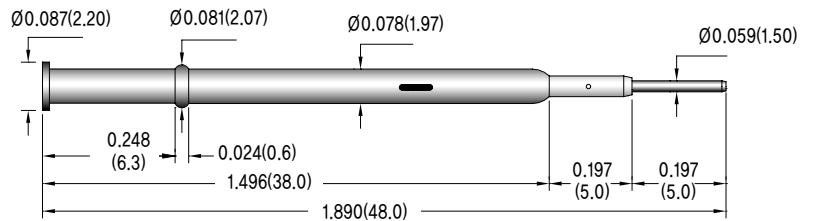
**Materials and Finishes**

Plunger - Full-hard beryllium copper, palladium plated over nickel  
 (optional gold plated over nickel)  
 Barrel - Nickel silver  
 Spring - Stainless steel, gold plated

Spring Force	± 20%	oz(grams)
Preload	Recommended Travel 0.287(7.3mm)	Full Travel 0.433(11.0mm)
2.471(70)	6.813(193)	11.120(315)

**Receptacle Specifications**

Housing : Brass, nickel plated  
 Round Post : Brass, nickel plated  
 Square Post : Brass, gold plated  
 Mounting Hole Size : 0.079(2.0mm) drill is most commonly used



**S1353TW** Wire-Wrap Receptacle



**S1353W**

