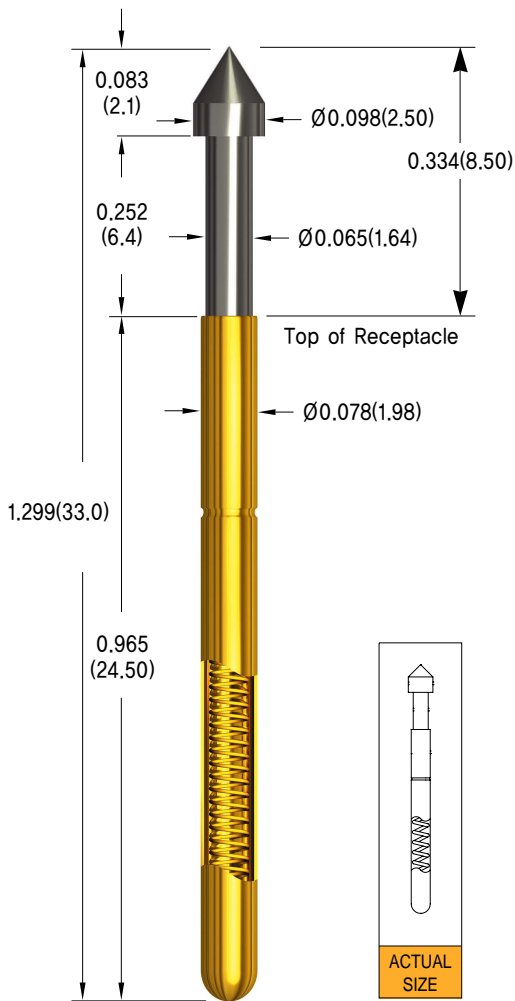
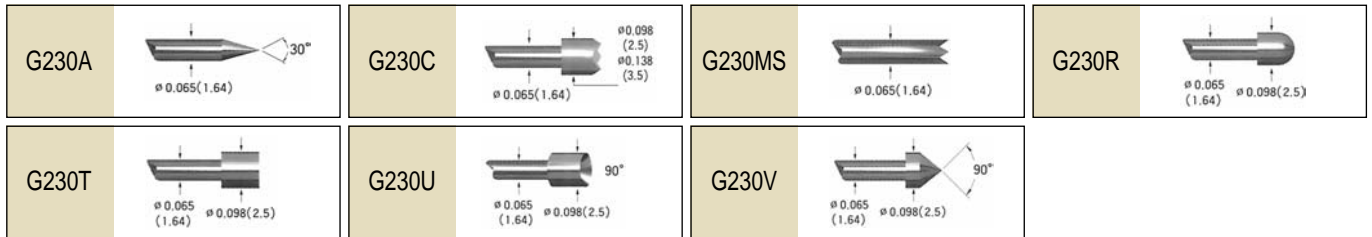


0.125(3.18) Test Centers G230 Series



Probe Specifications

Electrical(Static Conditions)

Current Rating : 8 amps continuous
 Probe Resistance : Less than 30 mΩ

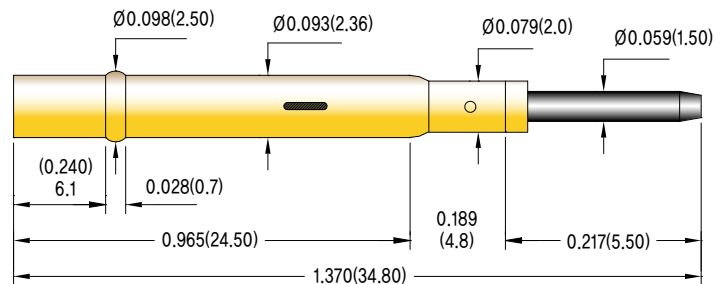
Materials and Finishes

Plunger - Full-hard beryllium copper, palladium plated over nickel
 (optional gold plated over nickel)
 Barrel - Brass, gold plated
 Spring - Music wire
 Ball - Stainless steel, gold plated

Spring Force	± 20%	oz(grams)
Preload	Recommended Travel	Full Travel
	0.169(4.3mm)	0.252(6.4mm)
1.765(50)	6.001(170)	8.119(230)

Receptacle Specifications

Housing : Work hardened nickel silver or Phosphor bronze
 or Brass, gold plated
 Square Post : Brass, nickel plated
 Mounting Hole Size : 0.094(2.40mm) drill is most commonly used



G230TW Round Post Receptacle



G230W No Termination Receptacle

