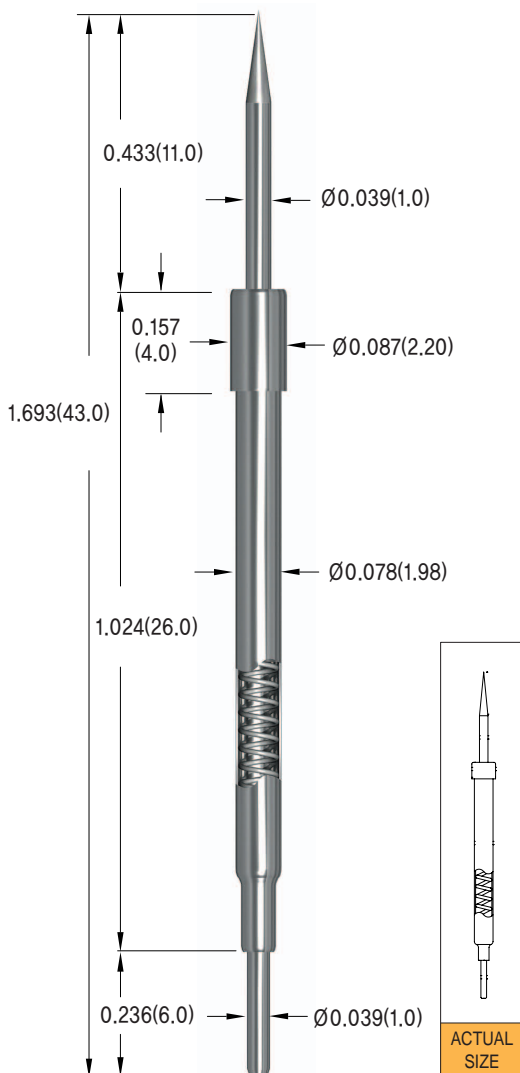
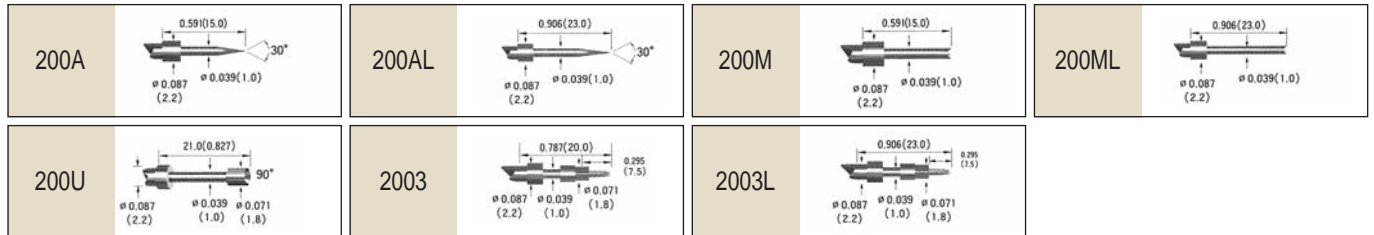


0.125(3.18) Test Centers 200 Series



Probe Specifications

Electrical(Static Conditions)

Current Rating : 8 amps continuous
 Probe Resistance : Less than 30 mΩ

Materials and Finishes

Plunger - High carbon steel, gold plated over nickel
 Barrel - Brass, Nickel plated
 Spring - Music wire
 Mounting Hole Size : 0.079(2.0mm) drill is most commonly used

Spring Force	± 20%	oz(grams)
Preload	Recommended Travel 0.220(5.6mm)	Full Travel 0.331(8.4mm)
0.883(25mm)	6.178(175)	8.825(250)