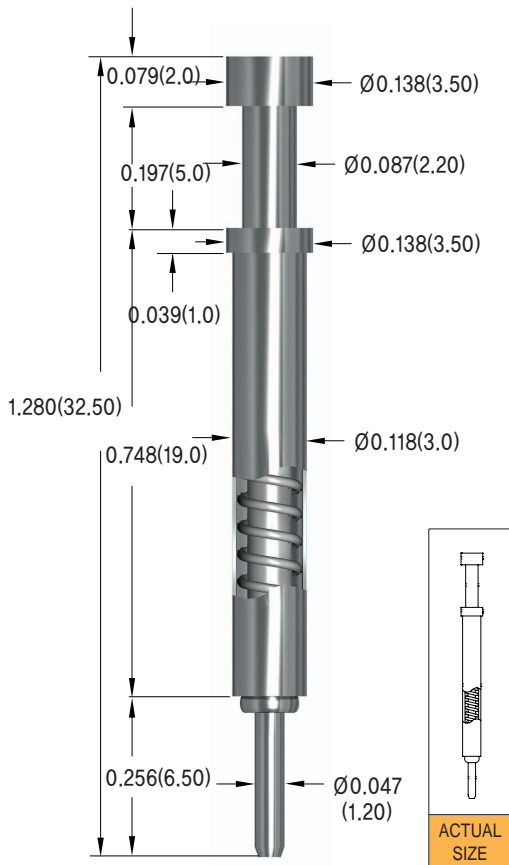


0.187(4.75) Test Centers 240 Series



Probe Specifications

Electrical(Static Conditions)

Current Rating : 10 amps continuous
 Probe Resistance : Less than 30 m Ω

Materials and Finishes

Plunger - Full-hard beryllium copper, nickel plated
 Barrel - Brass, nickel plated
 Spring - Music wire
 Mounting Hole Size : 0.118(3.0mm) drill is most commonly used

Spring Force	$\pm 20\%$	oz(grams)
Preload	Recommended Travel 0.130(3.3mm)	Full Travel 0.197(5.0mm)
3.53(100)	8.825(250)	11.649(330)