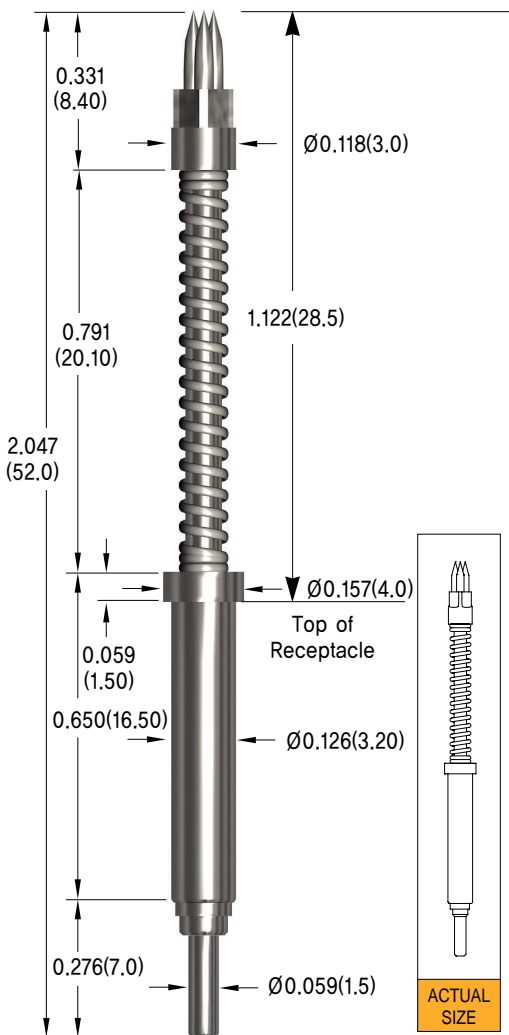
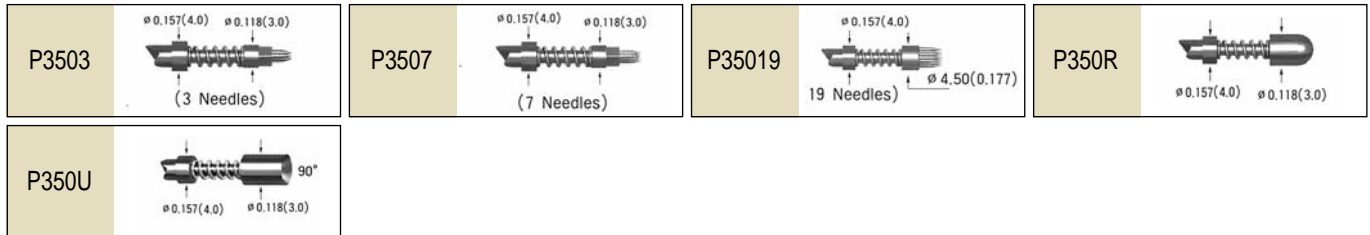


0.187(4.75) Test Centers P350 Series



Probe Specifications

Electrical(Static Conditions)

Current Rating : 15 amps continuous
 Probe Resistance : Less than 20 mΩ

Materials and Finishes

Plunger - High carbon steel, nickel plated
 Sleeve - Resin or Brass, nickel plated
 Spring - Music wire

Spring Force	± 20%	oz(grams)
Preload	Recommended Travel	Full Travel
	0.291(7.4mm)	0.473(11.1mm)
11.826(335)	14.473(410)	15.709(445)

Receptacle Specifications

Housing : Brass, nickel plated
 Mounting Hole Size : 0.138(3.50mm) drill is most commonly used

