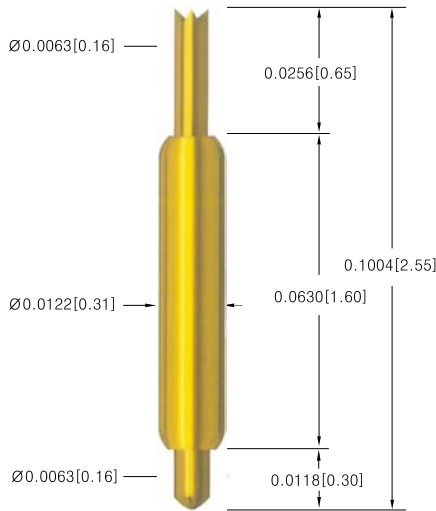


**DB273CAR / DB328CAR**

**• DB273CAR**

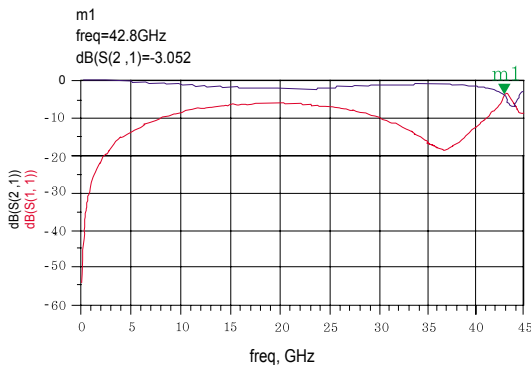


**▪ Mechanical Spec.**

Spring Force : .44oz (12.6g) @ .0177 (0.45mm)  
 Recommend travel : .0177 (0.45mm)  
 Full travel : .0236(0.60mm)  
 Material : Plunger - Hardened BeCu / Au plated  
 Barrel - Phosphor bronze / Au plated  
 Spring - Music wire / Au plated

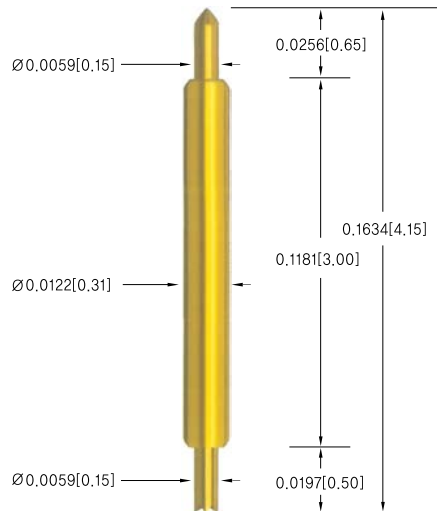
**▪ Electrical Spec.**

Current Rating : 0.5A Continuous  
 Leeno RF test fixture for S-parameter/TDR/ADS data  
 Self Inductance : 0.73nH    Capacitance : 0.57pF  
 Bandwidth : 42.8GHz    Propagation Delay : 16.67ps



S-parameter

**• DB328CAR**

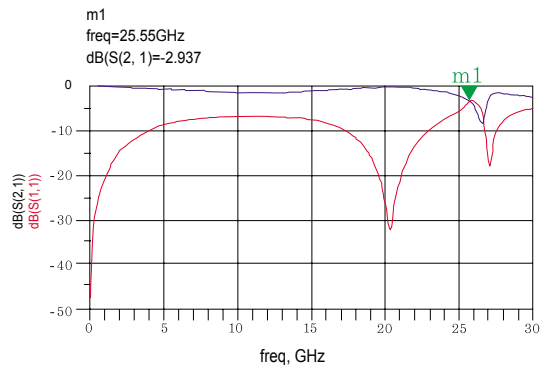


**▪ Mechanical Spec.**

Spring Force : .52oz (14.7g) @ .0157 (0.40mm)  
 Recommended travel : .0157 (0.40mm)  
 Full travel : .0236 (0.60mm)  
 Material : Plunger - Hardened BeCu / Au plated  
 Barrel - Phosphor bronze / Au plated  
 Spring - Music wire / Au plated

**▪ Electrical Spec.**

Current Rating : 0.5A Continuous  
 Leeno RF test fixture for S-parameter/TDR/ADS data  
 Self Inductance : 1.17nH    Capacitance : 1.05pF  
 Bandwidth : 25.55GHz    Propagation Delay : 33.23ps



S-parameter