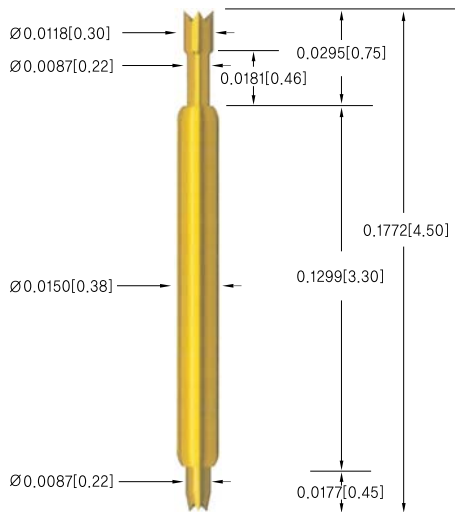


**DB351CAM / DB465AMR**

**• DB351CAM**

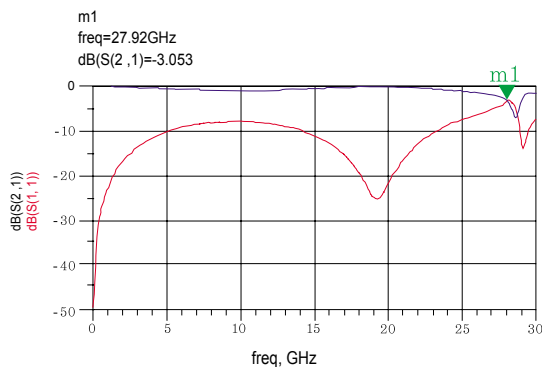


**▪ Mechanical Spec.**

Spring Force : .81oz (23.0g) @ .0157 (0.40mm)  
 Recommend travel : .0157 (0.40mm)  
 Full travel : .0236(0.60mm)  
 Material : Plunger - Hardened BeCu / Au plated  
 Barrel - Phosphor bronze / Au plated  
 Spring - Music wire / Au plated

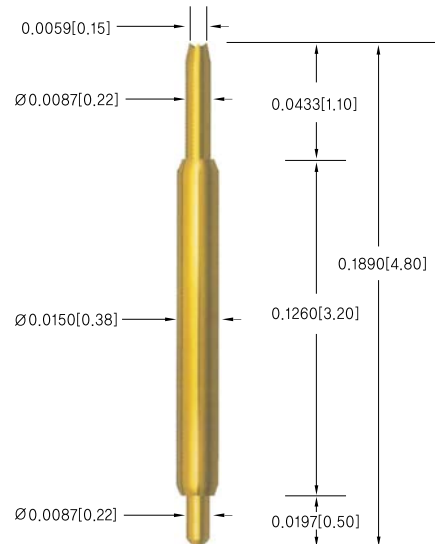
**▪ Electrical Spec.**

Current Rating : 0.5A Continuous  
 Leeno RF test fixture for S-parameter/TDR/ADS data  
 Self Inductance : 0.65nH    Capacitance : 0.73pF  
 Bandwidth : 27.92GHz    Propagation Delay : 37.11ps



S-parameter

**• DB465AMR**

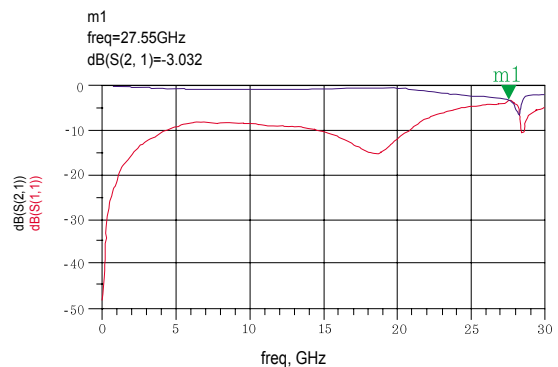


**▪ Mechanical Spec.**

Spring Force : .70oz (19.8g) @ .0236 (0.60mm)  
 Recommended travel : .0236 (0.60mm)  
 Full travel : .0394(1.00mm)  
 Material : Plunger - Hardened BeCu / Au plated  
 Barrel - Phosphor bronze / Au plated  
 Spring - Music wire / Au plated

**▪ Electrical Spec.**

Current Rating : 0.5A Continuous  
 Leeno RF test fixture for S-parameter/TDR/ADS data  
 Self Inductance : 1.14nH    Capacitance : 1.02pF  
 Bandwidth : 27.55GHz    Propagation Delay : 42.95ps



S-parameter