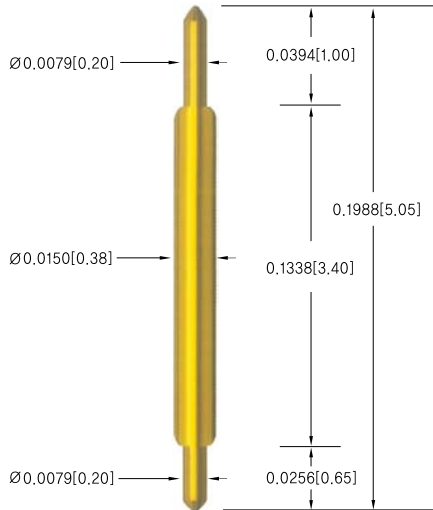


**DB451AA / DB398CAR**

• **DB451AA**

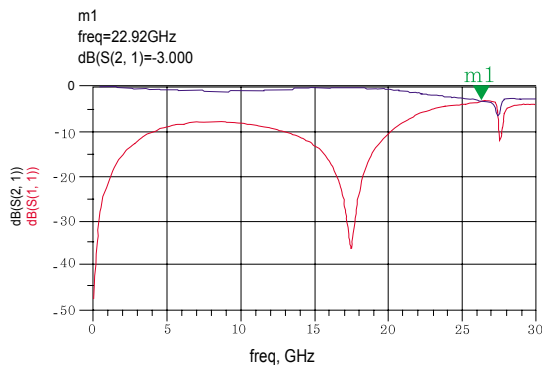


▪ **Mechanical Spec.**

Spring Force : .92oz (26.0g) @ .0236 (0.60mm)  
 Recommend travel : .0236 (0.60mm)  
 Full travel : .0315 (0.80mm)  
 Material : Plunger - SK4 / Rhodium plated  
 Barrel - Phosphor bronze / Au plated  
 Spring - Music wire / Au plated

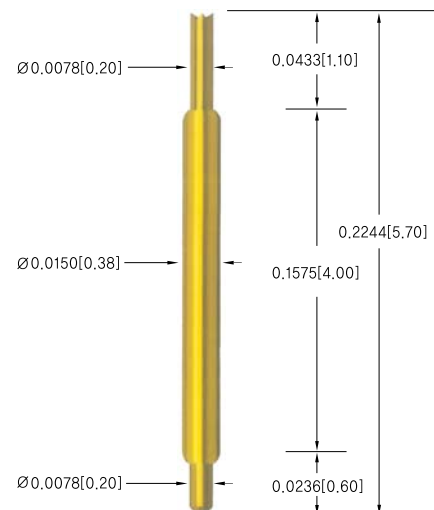
▪ **Electrical Spec.**

Current Rating : 0.5A Continuous  
 Leeno RF test fixture for S-parameter/TDR/ADS data  
 Self Inductance : 1.20nH    Capacitance : 1.06pF  
 Bandwidth : 26.3GHz    Propagation Delay : 38.11ps



S-parameter

• **DB398CAR**

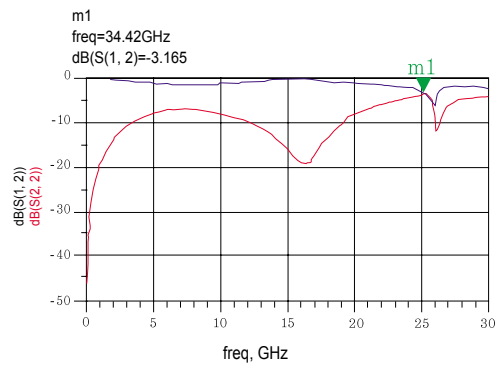


▪ **Mechanical Spec.**

Spring Force : 1.06 oz (30.1g) @ .0256 (0.65mm)  
 Recommended travel : .0256 (0.65mm)  
 Full travel : .0315 (0.80mm)  
 Material : Plunger - Hardened BeCu / Au plated  
 Barrel - Phosphor bronze / Au plated  
 Spring - Music wire / Au plated

▪ **Electrical Spec.**

Current Rating : 0.5A Continuous  
 Leeno RF test fixture for S-parameter/TDR/ADS data  
 Self Inductance: 1.29nHC    Capacitance : 1.20pF  
 Bandwidth : 25.17GHz    Propagation Delay : 44.92ps



S-parameter

- All specifications subject to change without notice.
- All dimensions are in inches[mm].
- All spring forces in ounces[gms].