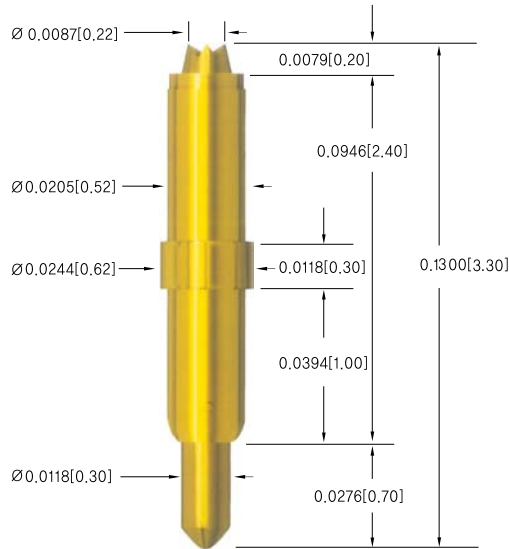


**GX254CAR / GX249CAR**

**• GX254CAR**

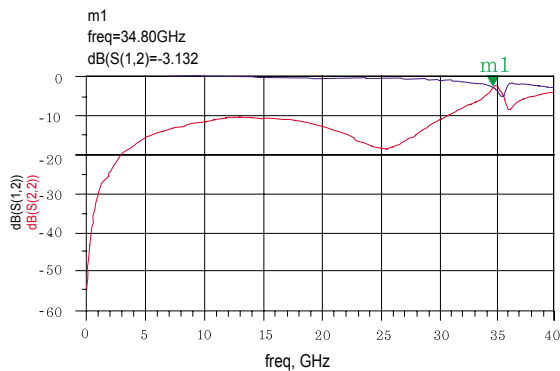


**▪ Mechanical Spec.**

Spring Force : 1.06oz (30.1g) @ .0157 (0.40mm)  
 Recommend travel : .0157 (0.40mm)  
 Full travel : .0236 (0.60mm)  
 Material : Plunger - Hardened BeCu / Au plated  
 Barrel - Hardened BeCu / Au plated  
 Spring - Music wire / Au plated

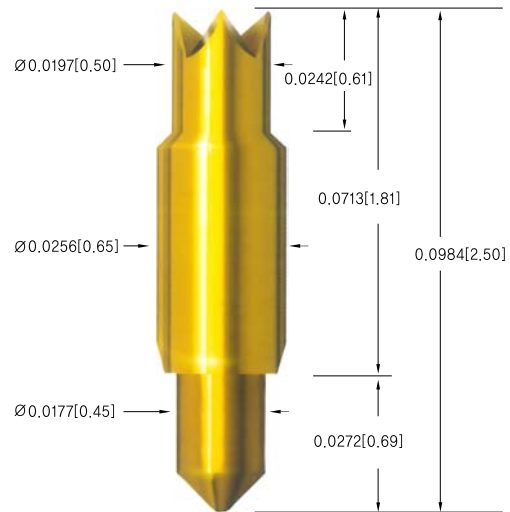
**▪ Electrical Spec.**

Current Rating : 1.0A Continuous  
 Probe Resistance : Less than 50mohm  
 Self Inductance : 0.55nH    Capacitance : 0.44pF  
 Bandwidth : 34.80GHz    Propagation Delay : 25.39ps



S-parameter

**• GX249CAR**

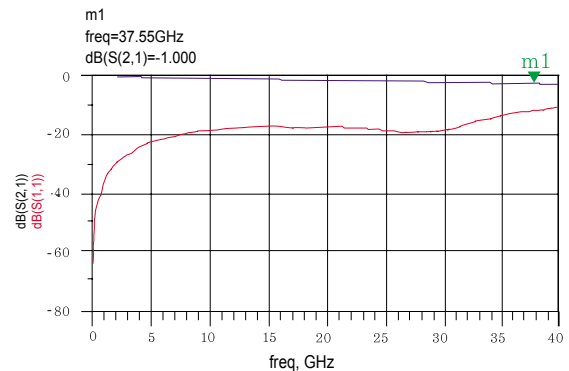


**▪ Mechanical Spec.**

Spring Force : .71oz (20.1g) @ .0181 (0.46mm)  
 Recommended travel : .0181 (0.46mm)  
 Full travel : .0272(0.69mm)  
 Material : Plunger - Hardened BeCu / Au plated  
 Barrel - Hardened BeCu / Au plated  
 Spring - Music wire / Au plated

**▪ Electrical Spec.**

Current Rating - 0.1A Continuous  
 Probe Resistance - Less than 50mohm  
 Self Inductance : 0.55nH    Capacitance : 0.31pF  
 Bandwidth : 37.55GHz @ -1.0dB  
 Propagation Delay : 22.59ps



S-parameter