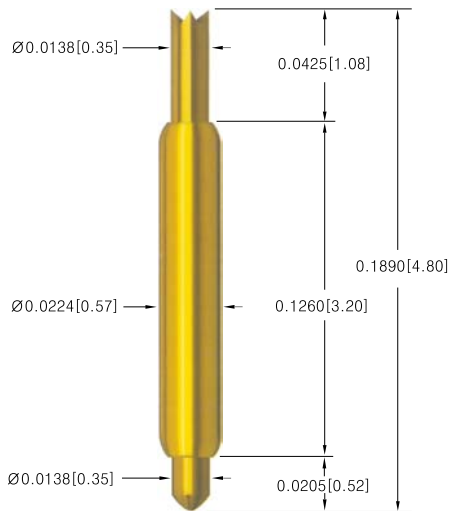


DB229CAR/ DB167CAR

• **DB229CAR**

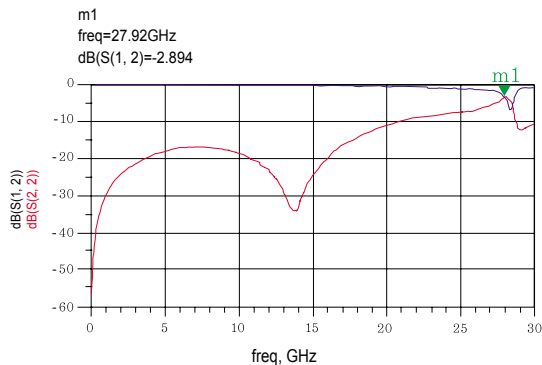


▪ **Mechanical Spec.**

Spring Force : 1.16oz (33.0g) @ .0236 (0.60mm)
 Recommend travel : .0236 (0.60mm)
 Full travel : .0315 (0.80mm)
 Material : Plunger - Hardened BeCu / Au plated
 Barrel - Phosphor bronze / Au plated
 Spring - Music wire / Au plated

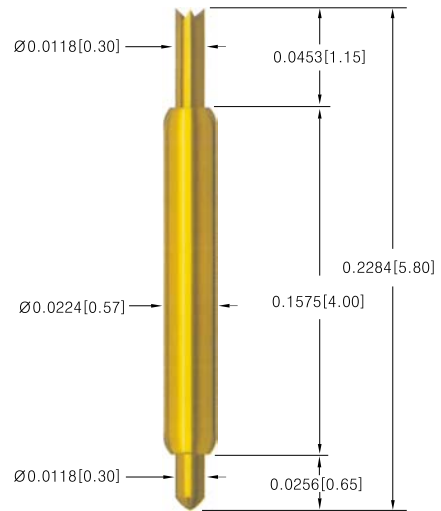
▪ **Electrical Spec.**

Current Rating : 1.0A Continuous
 Leeno RF test fixture for S-parameter/TDR/ADS data
 Self Inductance : 0.89nH Capacitance : 0.55pF
 Bandwidth : 27.92GHz Propagation Delay : 46.8ps



S-parameter

• **DB167CAR**

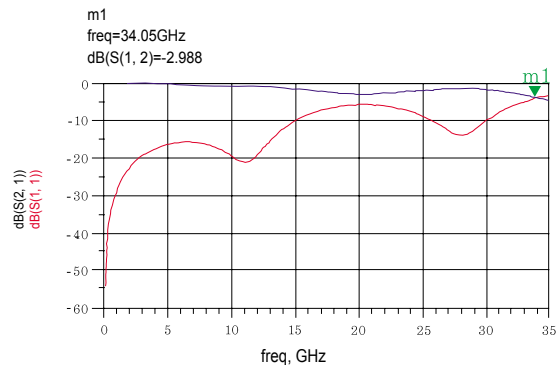


▪ **Mechanical Spec.**

Spring Force : .81oz (23.0g) @ .0256 (0.65mm)
 Recommended travel : .0256 (0.65mm)
 Full travel : .0394 (1.0mm)
 Material : Plunger - Hardened BeCu / Au plated
 Barrel - Phosphor bronze / Au plated
 Spring - Music wire / Au plated

▪ **Electrical Spec.**

Current Rating : 1.0A Continuous
 Leeno RF test fixture for S-parameter/TDR/ADS data
 Self Inductance : 0.94nH Capacitance : 0.64pF
 Bandwidth : 34.05GHz Propagation Delay : 58.0ps



S-parameter