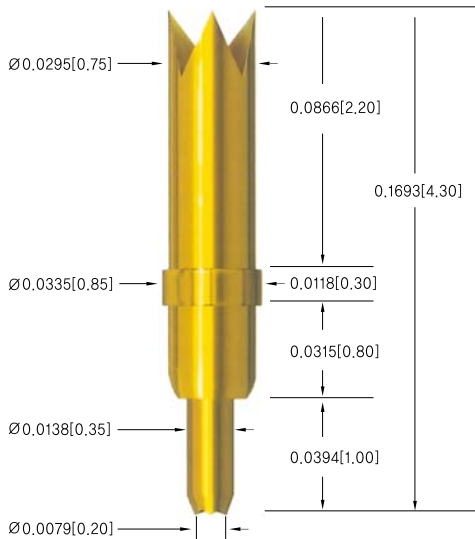


GX276MAM / GX275MAM

• GX276MAM

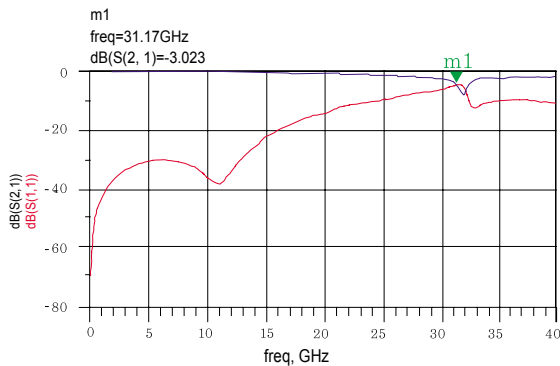


▪ Mechanical Spec.

Spring Force : 1.16oz (32.9g) @ .0315 (0.80mm)
 Recommend travel : .0315 (0.80mm)
 Full travel : .0394 (1.00mm)
 Material : Plunger - Hardened BeCu / Au plated
 Barrel - Hardened BeCu / Au plated
 Spring - Music wire / Au plated

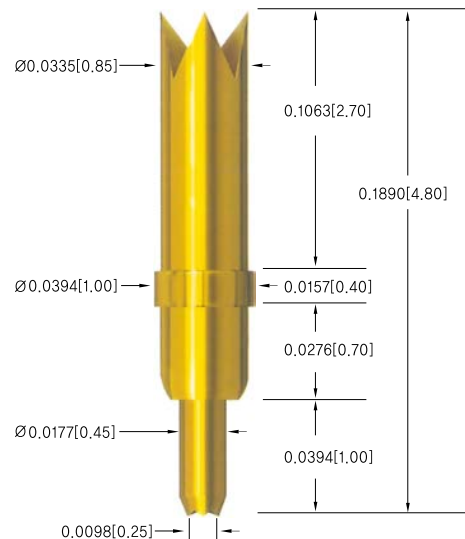
▪ Electrical Spec.

Current Rating : 2.0A Continuous
 Probe Resistance : Less than 50mohm
 Self Inductance : 0.78nH Capacitance : 0.36pF
 Bandwidth : 31.17GHz Propagation Delay : 39.08ps



S-parameter

• GX275MAM

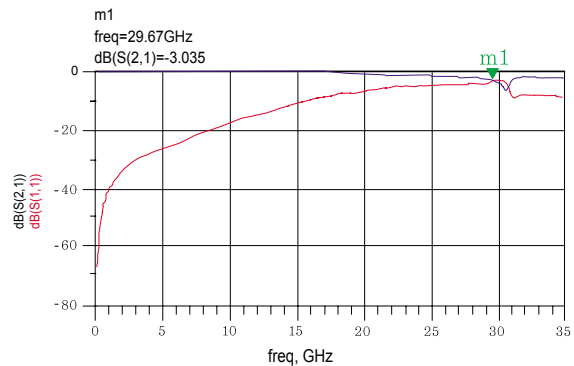


▪ Mechanical Spec.

Spring Force : 1.15oz (32.5g) @ .0315 (0.80mm)
 Recommended travel : .0181 (0.46mm)
 Full travel : .0394 (1.00mm)
 Material : Plunger - Hardened BeCu / Au plated
 Barrel - Hardened BeCu / Au plated
 Spring - Music wire / Au plated

▪ Electrical Spec.

Current Rating - 2.0A Continuous
 Probe Resistance - Less than 50mohm
 Self Inductance : 0.96nH Capacitance : 0.45pF
 Bandwidth : 37.55GHz @ -1.0dB
 Propagation Delay : 45.90ps



S-parameter

- All specifications subject to change without notice.
- All dimensions are in inches[mm].
- All spring forces in ounces[grams].