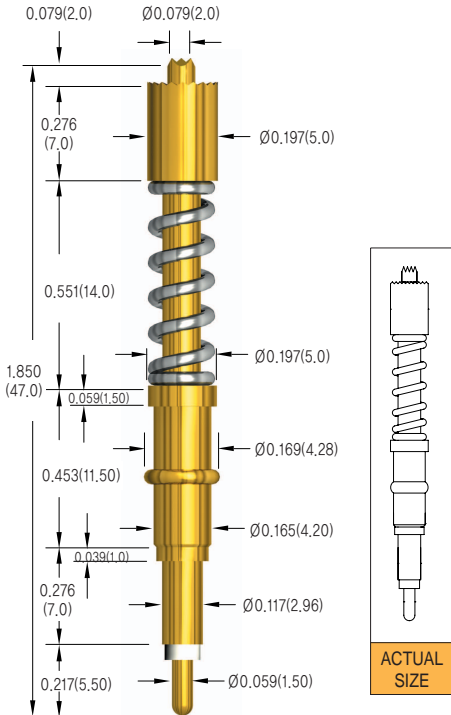


Battery Test Probe Series



CA101

Probe Specifications

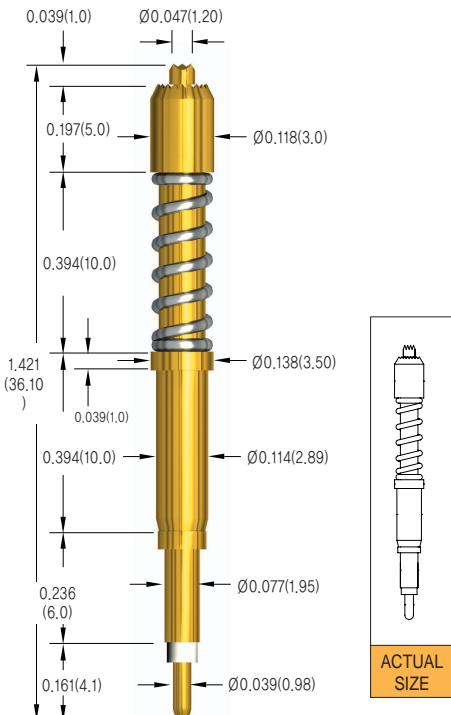
Electrical(Static Conditions)

Current Rating : 10 amps continuous
 Probe Resistance : Less than 30 mΩ

Materials and Finishes

Materials and Finishes
 Plunger - Full-hard beryllium copper, nickel plated
 Sleeve - Brass, nickel plated
 Spring - Music wire

Spring Force	± 20%	oz(grams)
Preload	Recommended Travel 0.248(6.3mm)	Full Travel 0.335(8.5mm)
1.377(39)	13.591(385)	17.191(487)



CA109

Probe Specifications

Electrical(Static Conditions)

Current Rating : 15 amps continuous
 Probe Resistance : Less than 30 mΩ

Materials and Finishes

Materials and Finishes
 Plunger - Full-hard beryllium copper Gold Plated over Nickel
 (optional rhodium plated over nickel)
 Sleeve - Brass, gold plated
 Spring - Music wire

Spring Force	± 20%	oz(grams)
Preload	Recommended Travel 0.157(4.0mm)	Full Travel 0.217(5.5mm)
2.683(76)	19.768(560)	26.687(756)