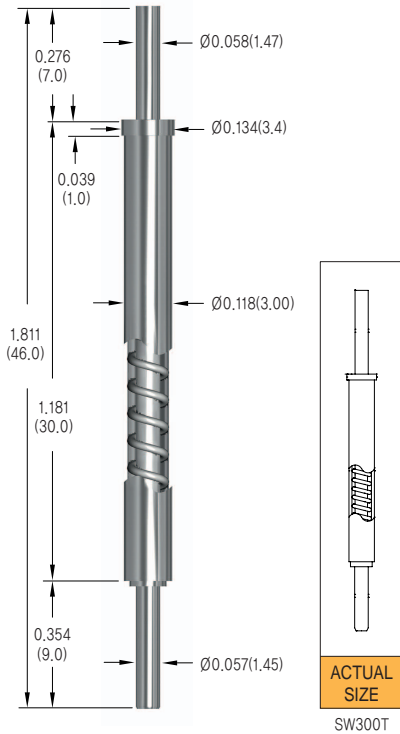
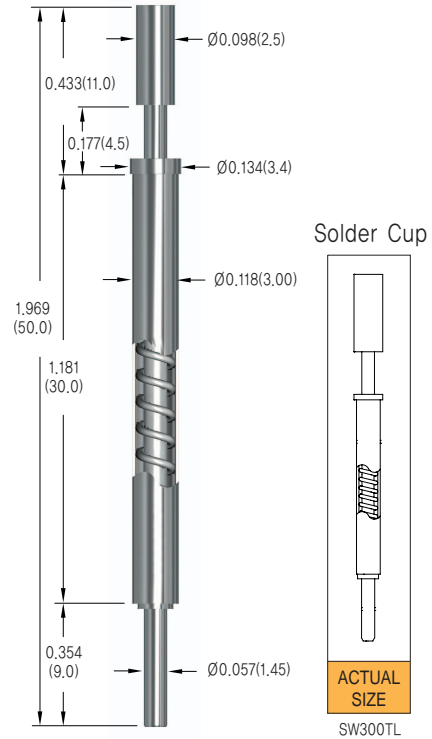


**Switching Probe Series**

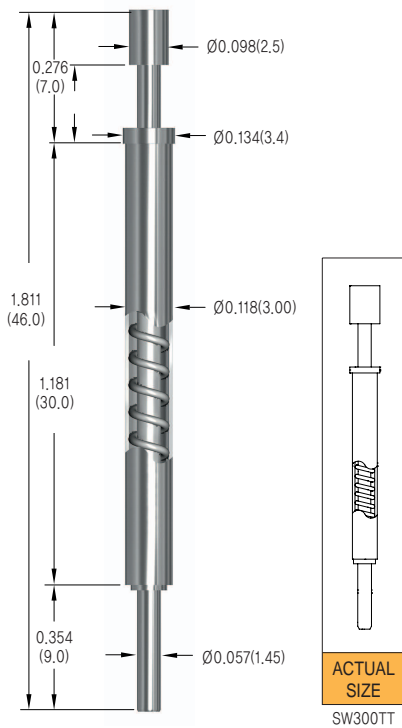
**SW300T** Switching Path : 0.079(2.0)



**SW300TL** Switching Path : 0.098(2.5)



**SW300TT** Switching Path : 0.118(3.0)



**Probe Specifications**

**Electrical(Static Conditions)**

Current Rating : 10 amps continuous  
 Probe Resistance : Less than 30 mΩ

**Materials and Finishes**

Materials and Finishes  
 Plunger - Full-hard beryllium copper, nickel plated  
 Sleeve - Brass, nickel plated  
 Spring - Music wire

Spring Force	± 20%	oz(grams)
Preload	Recommended Travel	Full Travel
	0.130(3.3mm)	0.197(5mm)
10.590(300)	28.664(812)	34.594(980)