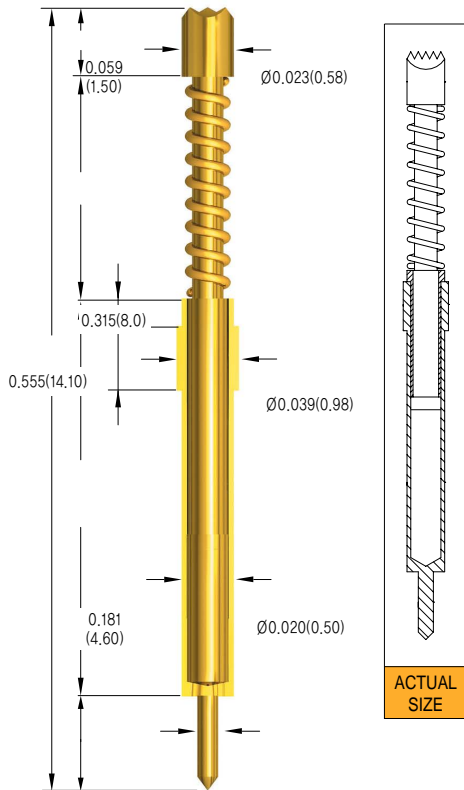


**Touch Pin Series**



**PS098**

**Probe Specifications**

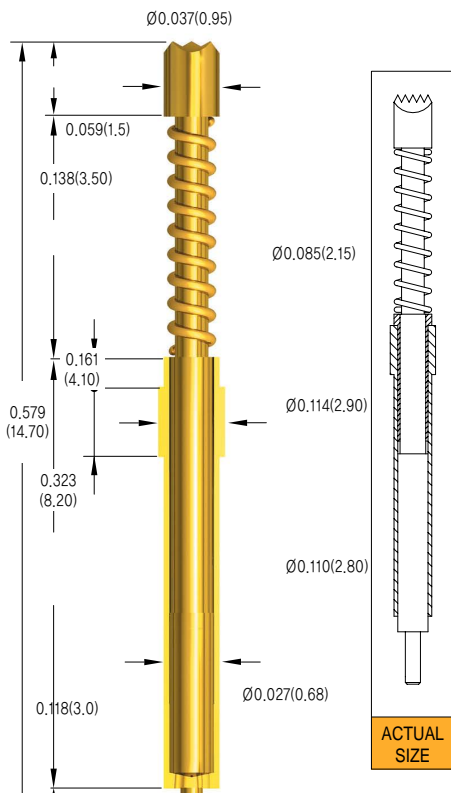
**Electrical(Static Conditions)**

Current Rating : 10 amps continuous  
 Probe Resistance : Less than 30 mΩ

**Materials and Finishes**

Materials and Finishes  
 Plunger - Full-hard beryllium copper, nickel plated  
 Sleeve - Brass, nickel plated  
 Spring - Music wire

Spring Force	± 20%	oz(grams)
Preload	Recommended Travel	Full Travel
	0.248(6.3mm)	0.335(8.5mm)
0.847(24)	1.236(35)	1.553(44)



**PS099**

**Probe Specifications**

**Electrical(Static Conditions)**

Current Rating : 8 amps continuous  
 Probe Resistance : Less than 30 mΩ

**Materials and Finishes**

Plunger - Brass or Gold Plated over Nickel  
 (optional rhodium plated over nickel)  
 Sleeve - Brass, gold plated  
 Spring - Phosphor Bronze Wire

Spring Force	± 20%	oz(grams)
Preload	Recommended Travel	Full Travel
	0.157(4.0mm)	0.217(5.5mm)
2.683(76)	19.768(560)	26.687(756)