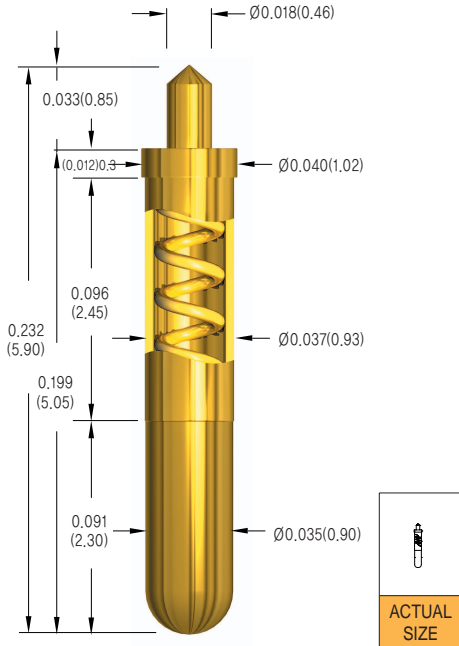


GT Probe Series



GT100A

Probe Specifications

Electrical(Static Conditions)

Current Rating : 3 amps continuous
 Probe Resistance : Less than 30 m Ω

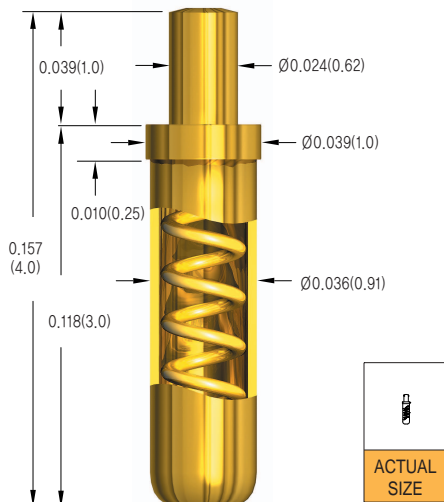
Materials and Finishes

Plunger - Full-hard beryllium copper, gold plated over nickel
 (optional rhodium plated over nickel)

Barrel - Brass, gold plated

Spring - Stainless wire

Spring Force	$\pm 20\%$	oz(grams)
Preload	Recommended Travel 0.012(0.3mm)	Full Travel 0.033(0.85mm)
2.047(58)	2.471(70)	3.283(93)



GT104T

Probe Specifications

Electrical(Static Conditions)

Current Rating : 3 amps continuous
 Probe Resistance : Less than 30 m Ω

Materials and Finishes

Plunger - Full-hard beryllium copper Gold Plated over Nickel
 (optional rhodium plated over nickel)

Sleeve - Brass, gold plated

Spring - Stainless wire

Spring Force	$\pm 20\%$	oz(grams)
Preload	Recommended Travel 0.024(0.6mm)	Full Travel 0.391(1.0mm)
0.812(23)	3.001(85)	4.589(130)